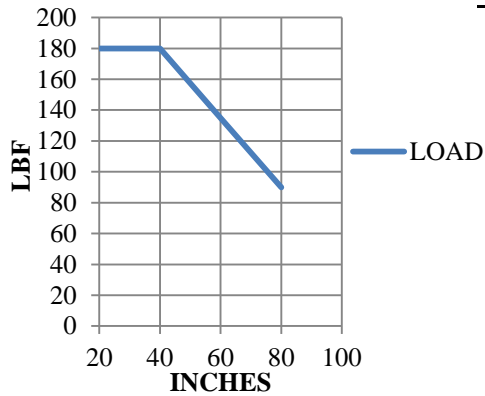
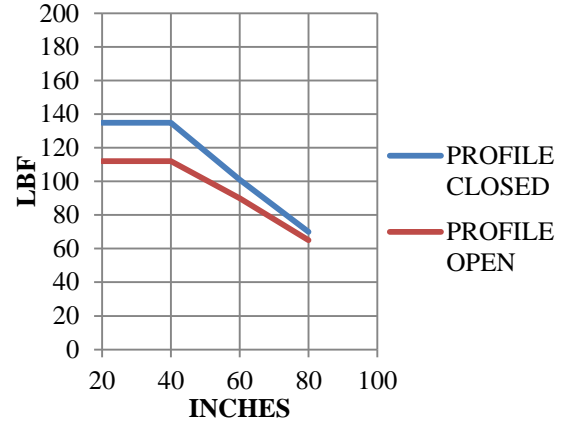


Suspension System

WITHOUT INTERMEDIATE JOINT



WITH INTERMEDIATE JOINT



PARTS LIST		
	HARDWARE NAME	TORQUE Inch LBS.
A	M8 x 50	265 in-lb.
B	M6 x 16	71 in-lb.
C	M4 x 10	27 in-lb.
D	M6	89 in-lb.
E	M10 / 3/8-16	434 in-lb.
F	M5 x 16 w/ Flat Washer	-- in-lb.
G	M6 x 22 w/ Flat Washer	-- in-lb.

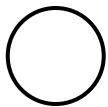
With intermediate joint max. Tube length:

Profile closed:

- 60" distance between wall hinge, top mounted joint and intermediate joint or
 - 60" distance between angle and intermediate joint.
- Complete length max. 80"

Profile open:

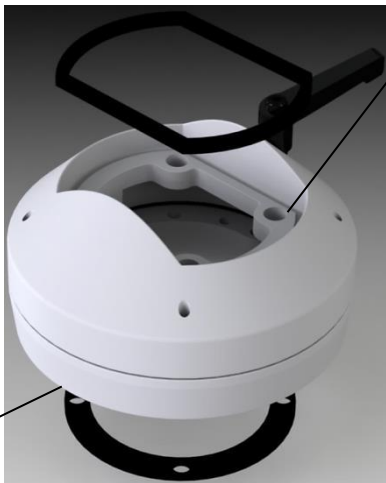
- 40" distance between wall hinge, top mounted joint and intermediate joint or
 - 40" distance between angle and intermediate joint.
- Complete length max. 80"



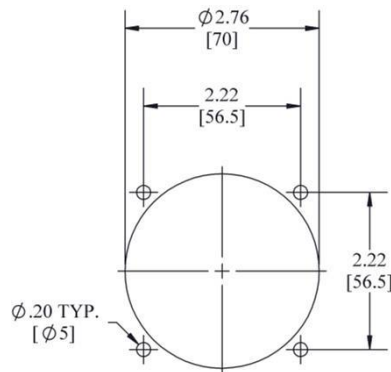
= Included and Standard

SCE-SA360C:

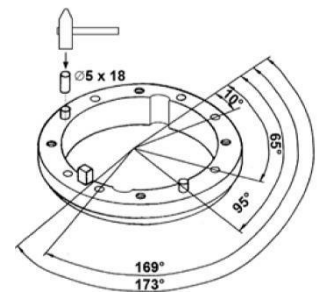
**G
x4**



ENCLOSURE MOUNTING HOLE PATTERN



ROTATION LIMITING PIN INSTALLATION



Suspension System

SCE-SA320AC:

G
x4

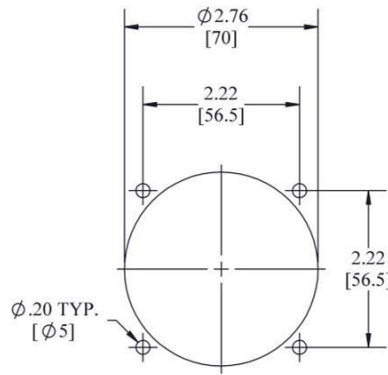
A
x4

D
x4

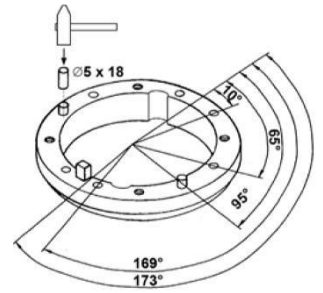


B

ENCLOSURE MOUNTING HOLE PATTERN



ROTATION LIMITING PIN INSTALLATION

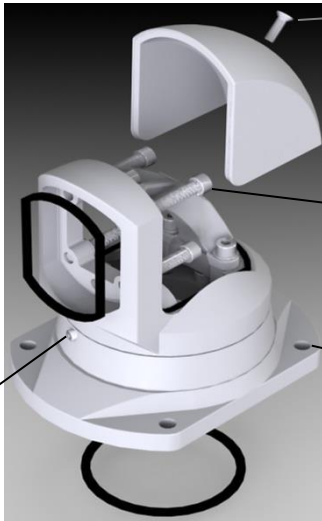


SCE-SA310TMJ:

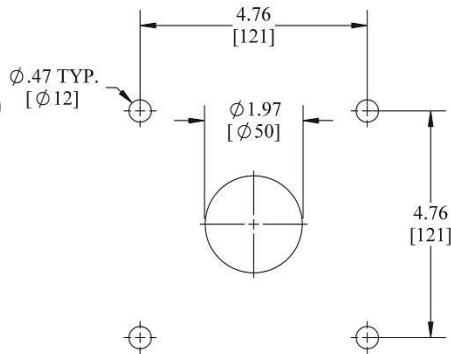
B

A
x4

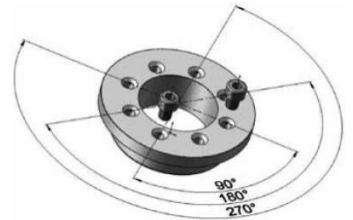
E
x4



BASE MOUNTING HOLE PATTERN



ROTATION LIMITING SCREW INSTALLATION



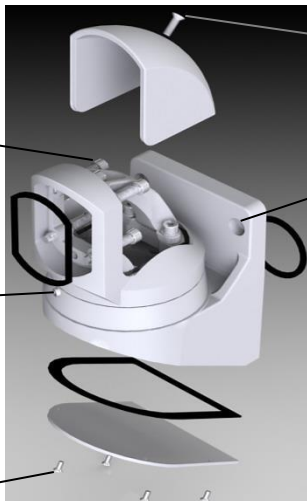
SCE-SA230WH:

B

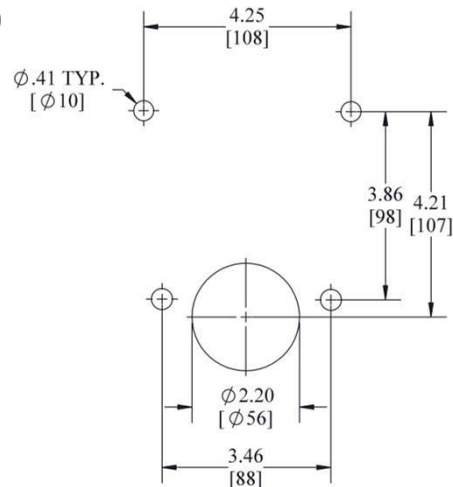
A
x4

E
x4

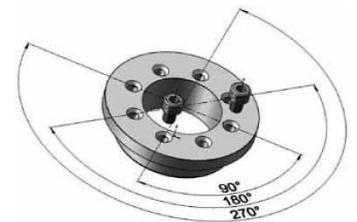
C
x4



BASE MOUNTING HOLE PATTERN

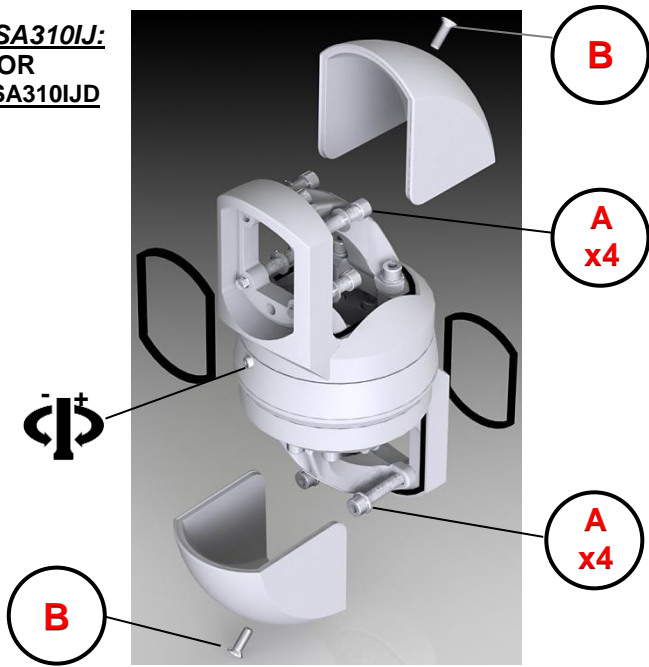


ROTATION LIMITING SCREW INSTALLATION

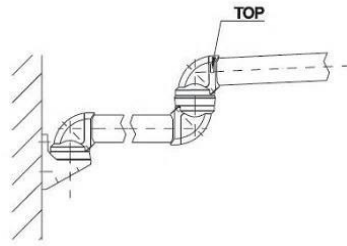


Suspension System

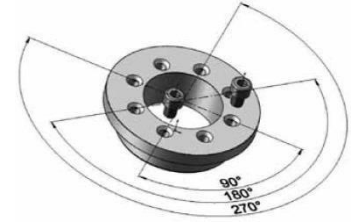
SCE-SA310IJ:
OR
SCE-SA310JD



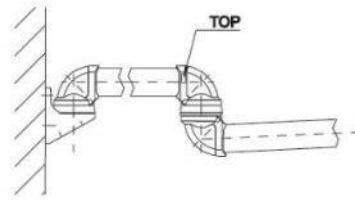
“SCE-SA310IJ”



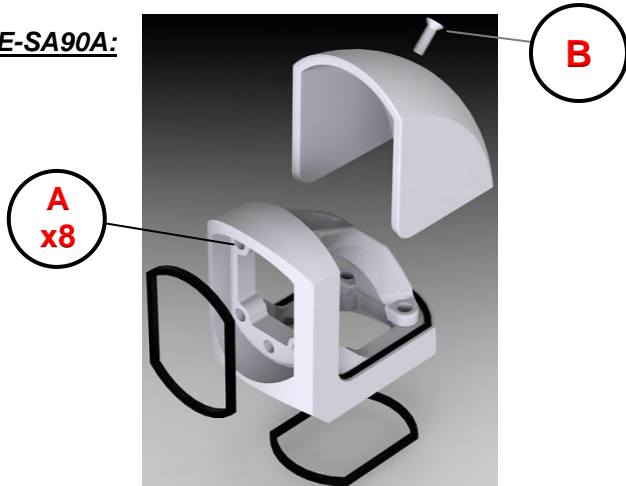
**ROTATION
LIMITING SCREW INSTALLATION**



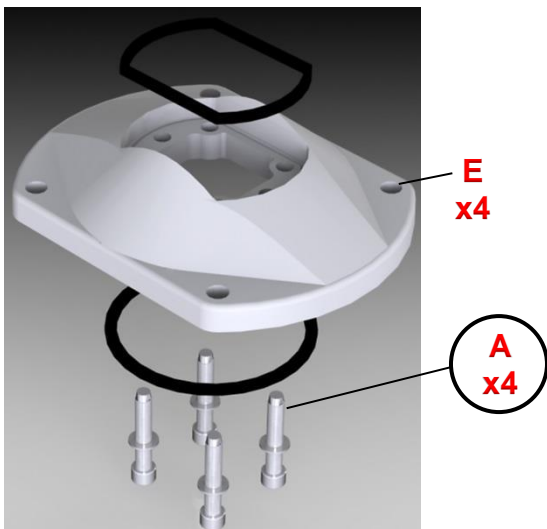
“SCE-SA310JD”



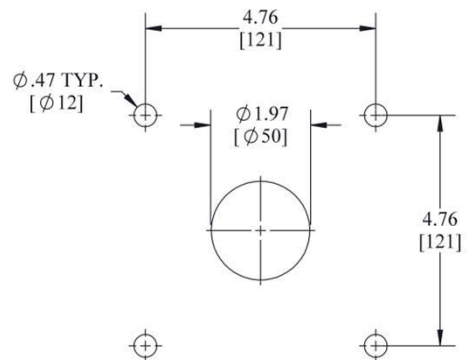
SCE-SA90A:



SCE-SAFFS:



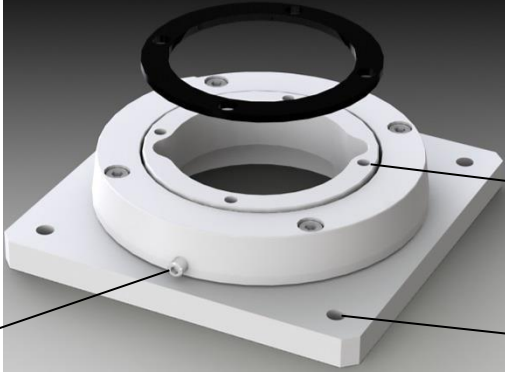
**BASE MOUNTING
HOLE PATTERN**



Suspension System

SCE-SATFS:

G
x4

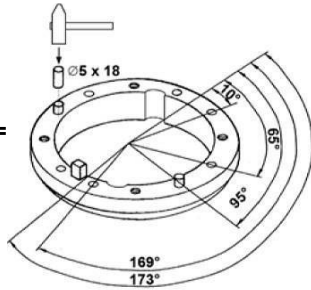


D
x4

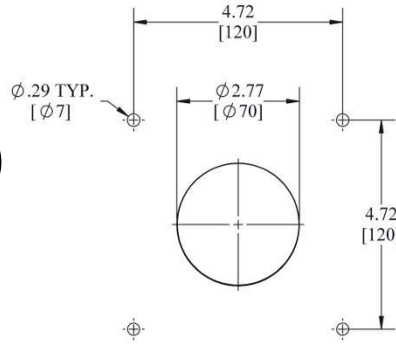
D
x4



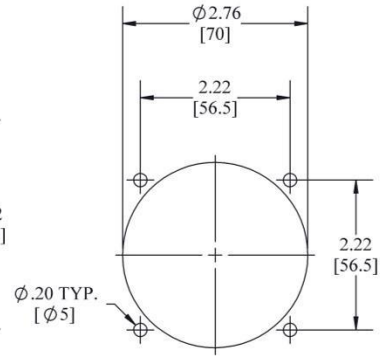
ROTATION
LIMITING PIN INSTALLATION =



BASE MOUNTING HOLE PATTERN



ENCLOSURE MOUNTING HOLE PATTERN



SCE-SA45IA:

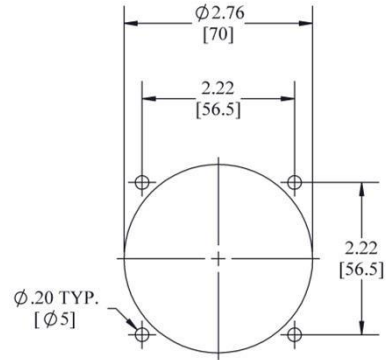
G
x4



D
x4

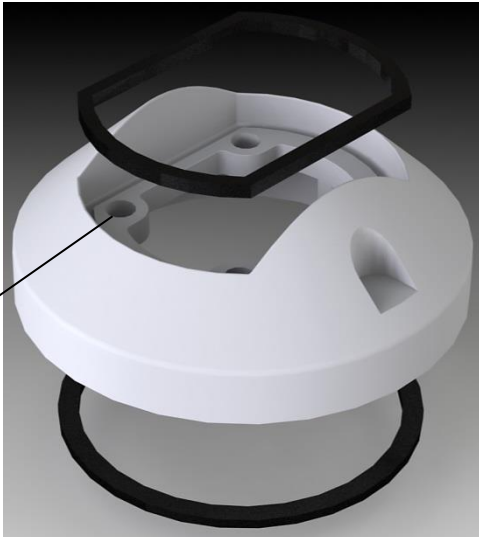
D
x4

ENCLOSURE MOUNTING HOLE PATTERN



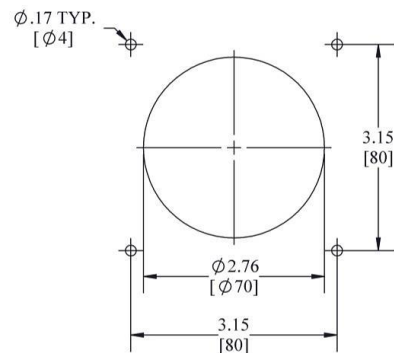
SCE-SAFC:

F
x4



A
x4

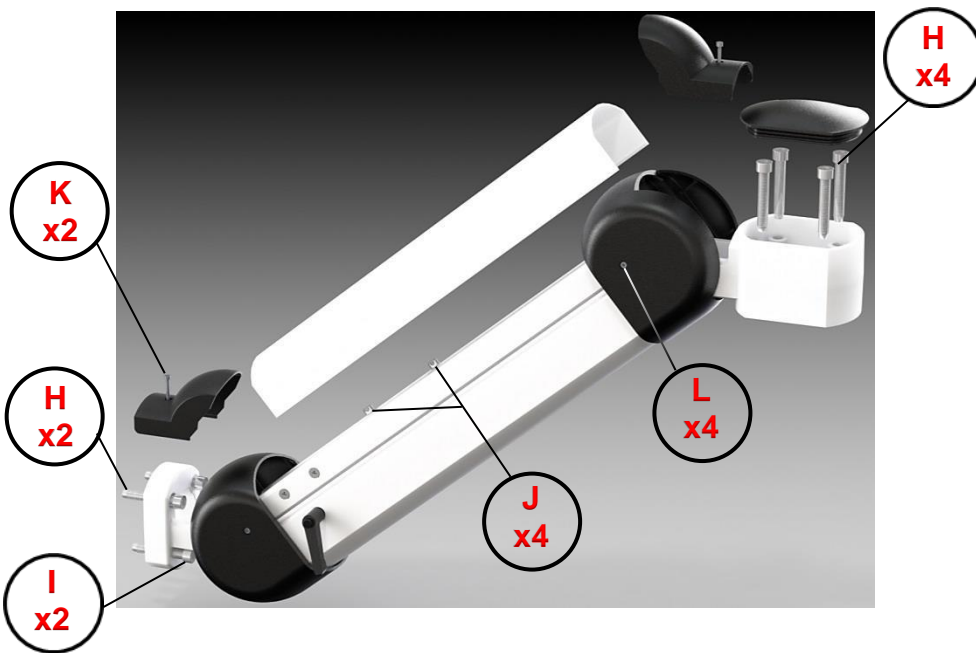
ENCLOSURE MOUNTING HOLE PATTERN



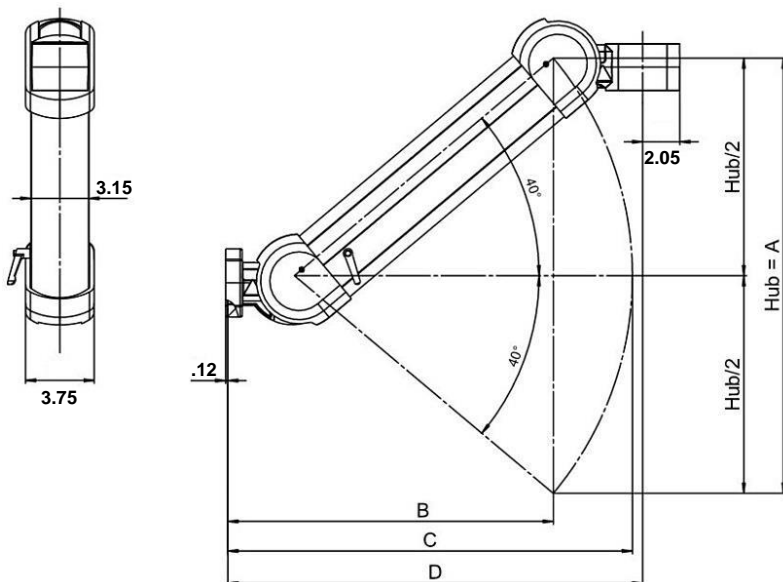
Suspension System

SCE-SACB11T31:

"COUNTER BALANCE ARM"



PARTS LIST		
	HARDWARE NAME	TORQUE Inch LBS.
H	M8 x 60	265 in-lb.
I	M8 x 40	265 in-lb.
J	M5	53 in-lb.
K	M3 x 30	-- in-lb.
L	M3 x 12	-- in-lb.



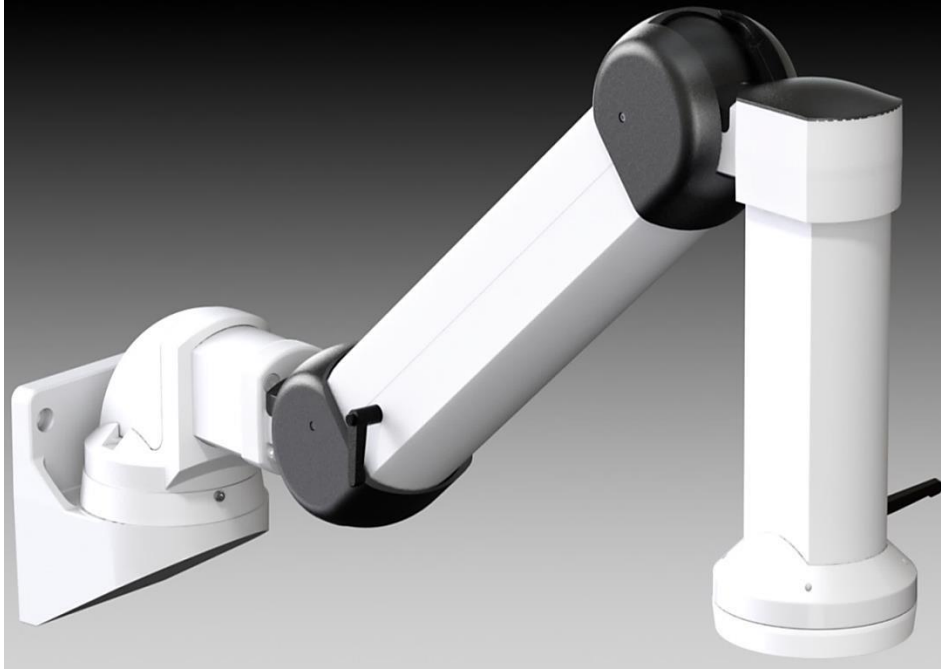
(HUB / STROKE inches)

<u>A</u> (in)	<u>B</u> (in)	<u>C</u> (in)	<u>D</u> (in)
24	18	22	23

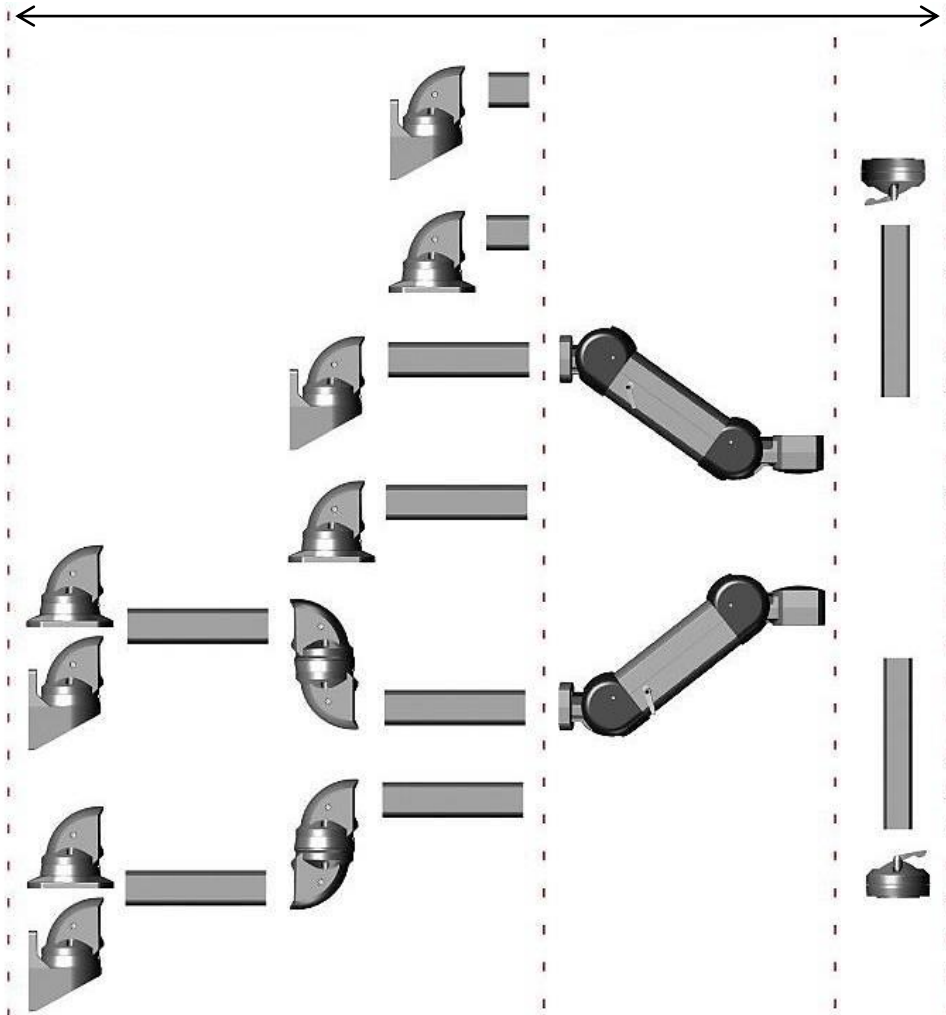
Suspension System

"COUNTER BALANCE ARM" POSSIBLE COMBINATIONS

SCE-SACB11T31
OR
SCE-SACB31T55



MAX LENGTH = 78.75 INCHES.



Suspension System

"SCE-SAMM"



SCE-SAMM INCLUDES:
← SMALL PLATE (e.g. LEFT)
LARGE PLATE (e.g. RIGHT) →
FOR SPECIFIC
MOUNTING.

